

MP3 MIXER AMPLIFIER

60W/120W/240W/350W/500W/650W

FY-60F/FY-120F/FY-240F/FY-350F/FY-500F/FY-650F



🔊 Descriptions & Features

The Series of MP3/FM Tuner 2U Rack-mount Amplifiers are designed for background music/paging and public address system installations, these units are exceptional values, and are easy to install in a variety of system designs.

The mixer amplifiers have features of built-in MP3 player with a USB slot for connecting external U Disk and FM radio function.

And features three balanced mic. inputs and two line inputs, 70/130/260/360 watts of amplifier power are available with either 70/100-volt or 4 to 16 ohms(Ω) loads.

Also included a balanced line level output for adding additional power amplifiers.

The unit also features muting function that MIC1 overrides MIC2, MIC3 AUX1, AUX2 with 0~30dB dB attenuation.

And features complete protection is provided for output short circuit, overload, high temperature, peak current limiters.

Widely used for any kind of public areas such as shops, supermarkets, schools, churches, stations, hotels etc.

※ Built-in U disk MP3 player and FM radio.

※ Power rates: 70W/130W/260W/360W/500W/650W available.

※ TOSHIBA amplifier transistors.

※ 100% pure copper toroidal transformers.

※ 70V/100V and 4~16 Ω loads.

※ Standard 19" 2U height.

※ 3 MIC inputs, 2 LINE inputs, 1 LINE output.

※ Individual volume controller for MIC & AUX inputs.

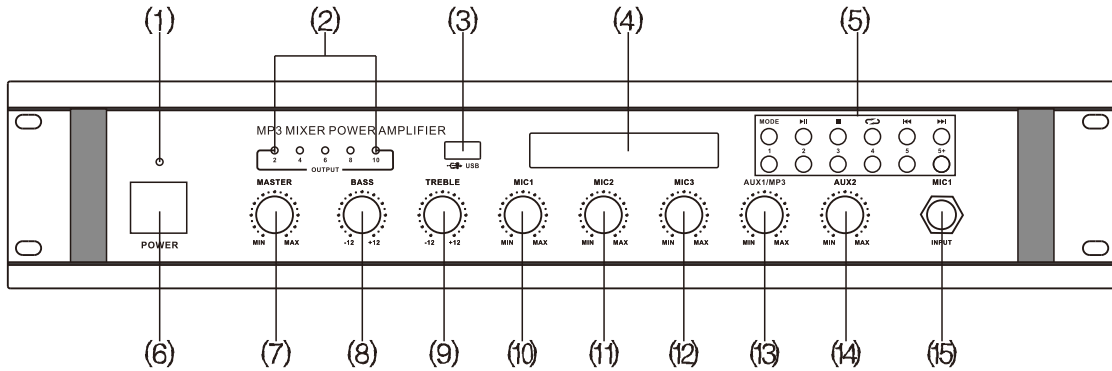
※ MASTER volume controller.

※ BASS and TREBLE tone controller.

※ MIC1 has priority over other inputs.

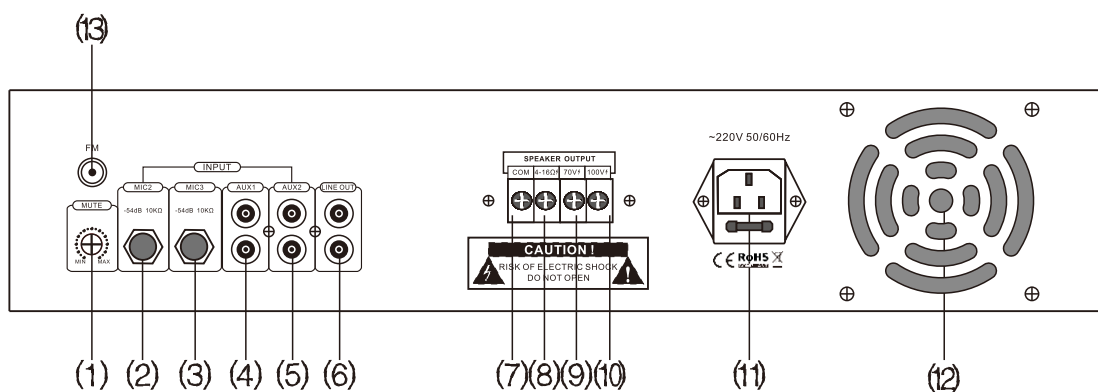
※ Protections of short circuit, overload, high temperature.

Front Panel



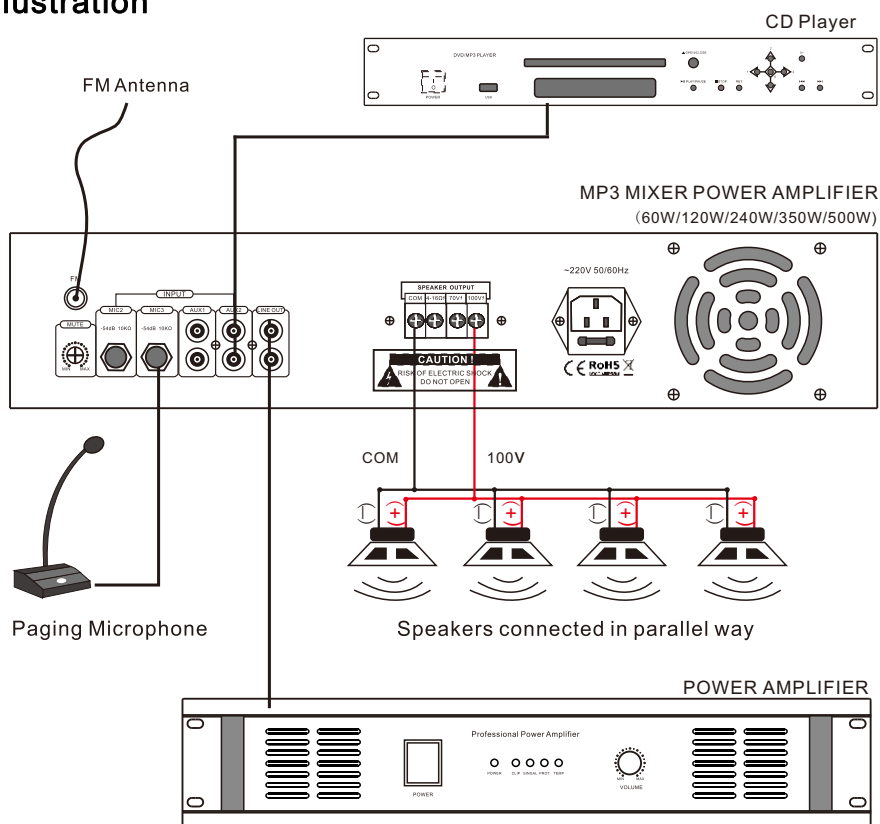
- | | | |
|---------------------|------------------------|--------------------|
| (1) Power Indicator | (2) Signal Indicator | (3) USB port |
| (4) Screen | (5) MP3/FM Controllers | (6) Power Switch |
| (7) Master Volume | (8) Bass Control | (9) Treble Control |
| (10) MIC1 Volume | (11) MIC2 Volume | (12) MIC3 Volume |
| (13) AUX1 Volume | (14) AUX2 MIC1 Volume | (15) MIC1 Input |

Rear Panel



- | | | |
|------------------------------|---------------------|-------------------------|
| (1) Mute Sensitivity Control | (2) MIC2 Input | (3) MIC3 Input |
| (4) AUX1 Input | (5) AUX2 Input | (6) AUX Output |
| (7) COM Terminal | (8) 4-16Ω Terminal | (9) 70V Terminal |
| (10) 100V Terminal | (11) AC Power Inlet | (12) Ventilation Outlet |
| (13) FM Antenna Input | | |

Connection Illustration



Specifications

Model	FY-60F	FY-120F	FY-240F	FY-350F	FY-500F	FY-650F
Rated Power	60W	120W	240W	350W	500W	650W
Output Terminals	Low impedance:4-16 ohms(Ω)					
	60W	Voltage line:70V(70 ohms(Ω)) 100V(143 ohms(Ω))				
	120W	Voltage line:70V(38 ohms(Ω)) 100V(77 ohms(Ω))				
	240W	Voltage line:70V(19 ohms(Ω)) 100V(39 ohms(Ω))				
	350W	Voltage line:70V(14 ohms(Ω)) 100V(28 ohms(Ω))				
	500W	Voltage line:70V(10 ohms(Ω)) 100V(20 ohms(Ω))				
	650W	Voltage line:70V(7 ohms(Ω)) 100V(15 ohms(Ω))				
MIC. Input	MIC1/MIC2/MIC3:600 ohms(Ω) 10-15 mV ,unbalanced					
LINE Input	AUX1/AUX2:10k ohms(Ω) 200-470 mV ,unbalanced					
AUX Output	0.775V (0 dB)					
Freq. Response	60 Hz ~ 15k Hz (\pm 3 dB)					
THD	<0.5% at 1kHz,1/3 of rated power					
S/N	Line:85 dB , MIC:>72 dB					
Tone	BASS:100 Hz (\pm 10 dB) , TREBLE:12k Hz (\pm 10 dB)					
Mute Sensitivity	MIC1 overrides MIC2、 MIC3、 AUX1、 AUX2 with 0~30 dB attenuation					
Controls	Volume controls,tone/treble control,mute control,power control					
Cooling Fan	DC 12V FAN					
Indicator	AC: 'POWER' ,level: '2、 4、 6、 8、 10'					
Protection	AC FUSE×4A	AC FUSE×4A	AC FUSE×6A	AC FUSE×6A	AC FUSE×8A	AC FUSE×10A
	AC FUSE×1,short circuit,overload,high temperature					
Power Cord	(3×0.75 mm ²)×1.5M (standard)					
AC Power	AC110V~120V, AC220V~240V 50-60Hz optional					
Consumption	95W	175W	350W	485W	675W	850W
Dimension	89(H)×483(W)×366(D) mm					
Packing Size	185(H)×520(W)×435(D) mm					
Net Weight	10.04kg	11.36kg	13.68kg	14.08kg	15.58Kg	17.6Kg
Gross Weight	11.72kg	13.02kg	15.32kg	15.7kg	17.2Kg	19.3Kg